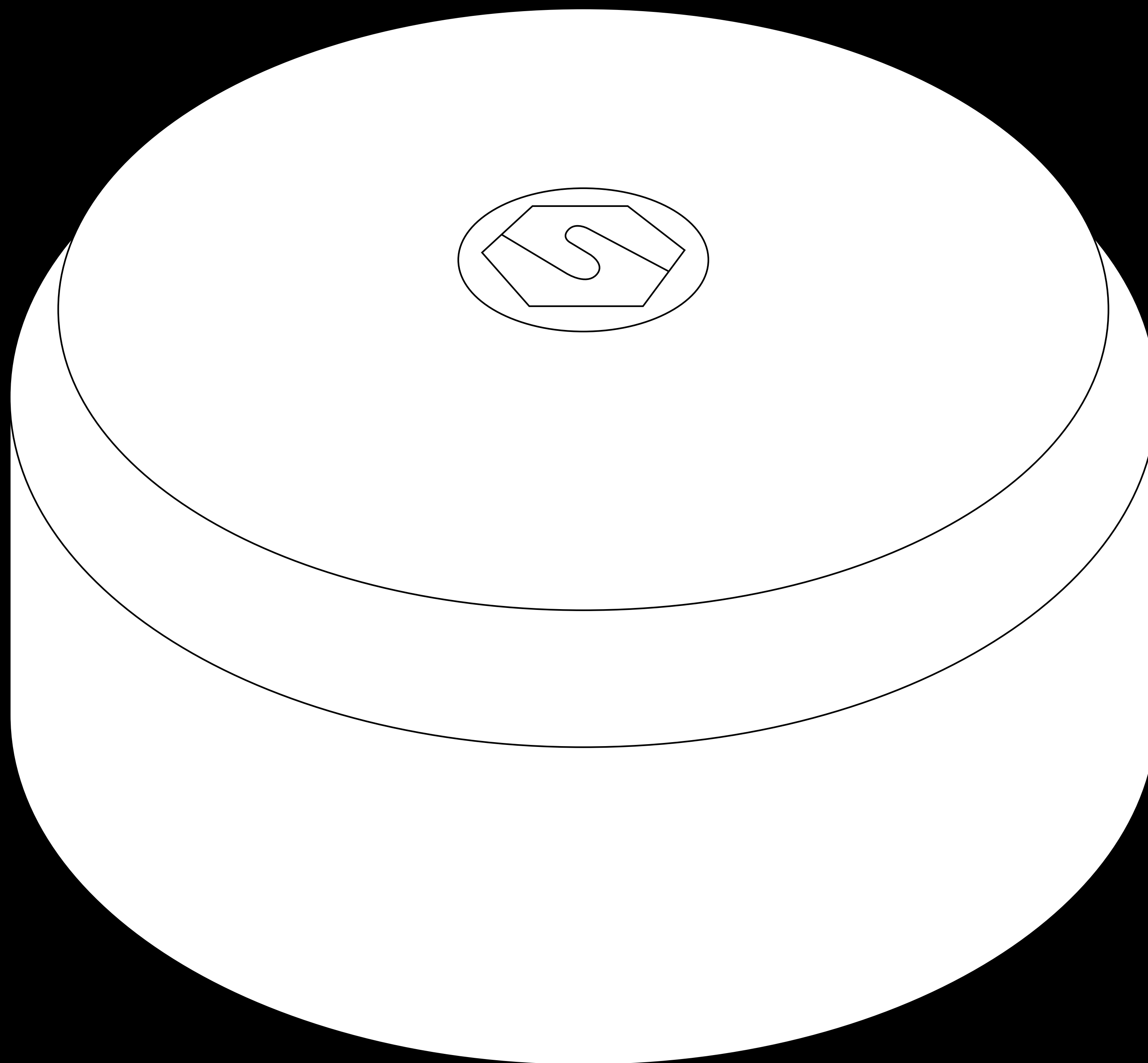
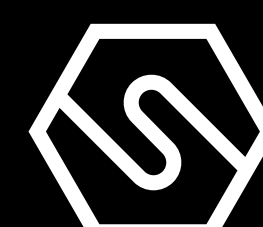


SMART3H LITE



Datasheet





SMART3H LITE allow to monitor the refrigerant gases and carbon dioxide in hotels and residential areas. The design is aimed to have cost-effective product, thanks also to the presence of a special infrared sensor. The detector status is constantly displayed by three intelligent LEDs that uniformly illuminate the semi-transparent crown.

SMART3H LITE gas detector has a 12-24 Vdc power supply, as outputs it's equipped with an RS485 serial output and two relays.

The housing is made of polycarbonate and has an IP42 degree of protection.

Sensor

Application	Hotel and residential
Sensing element	Infrared
Predicted sensor life	>5 years
Gas detected	R32, R1234YF, R1234ZE, R454A,R454B, R454C, R452B, R134A, R410A, R404A, R407C, CO ₂
Fullscale	0-20% LFL 0-5000 ppm
Alarm thresholds	5 e 10% LFL 1000 e 2000 ppm

Product P/N

S3843R32	R32 detector, thresholds 5% and 10% LFL, 12-24 Vdc
S3844R1234YF	R1234YF detector, thresholds 5% and 10% LFL, 12-24 Vdc
S3845R1234ZE	R1234ZE detector, thresholds 5% and 10% LFL, 12-24 Vdc
S3848R454A	R454A detector, thresholds 5% and 10% LFL, 12-24 Vdc
S3849R454B	R454B detector, thresholds 5% and 10% LFL, 12-24 Vdc
S3850R454C	R454C detector, thresholds 5% and 10% LFL, 12-24 Vdc
S3851R452B	R452B detector, thresholds 5% and 10% LFL, 12-24 Vdc
S3846R134A	R134A detector, thresholds 1000 and 2000 ppm, 12-24 Vdc
S3847R410A	R410A detector, thresholds 1000 and 2000 ppm, 12-24 Vdc
S3854R32	R32 detector, thresholds 1000 and 2000 ppm, 12-24 Vdc
S3855R404A	R404A detector, thresholds 1000 and 2000 ppm, 12-24 Vdc
S3856R407C	R407C detector, thresholds 1000 and 2000 ppm, 12-24 Vdc
S3857R1234YF	R1234YF detector, thresholds 1000 and 2000 ppm, 12-24 Vdc
S3858R1234ZE	R1234ZE detector, thresholds 1000 and 2000 ppm, 12-24 Vdc
S3859CO2	CO ₂ detector, thresholds 1000 and 2000 ppm, 12-24 Vdc



Electrical data

Power supply	12-24 Vdc
Signal output	2 relays; RS485 serial output
Power consumption	150 mA at 24 Vdc
Relays contact rating	1.0 A at 30 Vdc
Optical indications	3 smart LEDs
Acoustic indications	Buzzer 70 dB
Hall effect sensor	Yes, for buzzer silence

External case

Material	Polycarbonate
Dimensions	D: 95.5mm H:52.5 mm
Weight	200 g
Cable entries	Lateral entry: pre-formed guide that can be drilled for M16 fairlead (supplied with the gas detector). Entry on the bottom: 10 mm hole.
IP grade	IP42

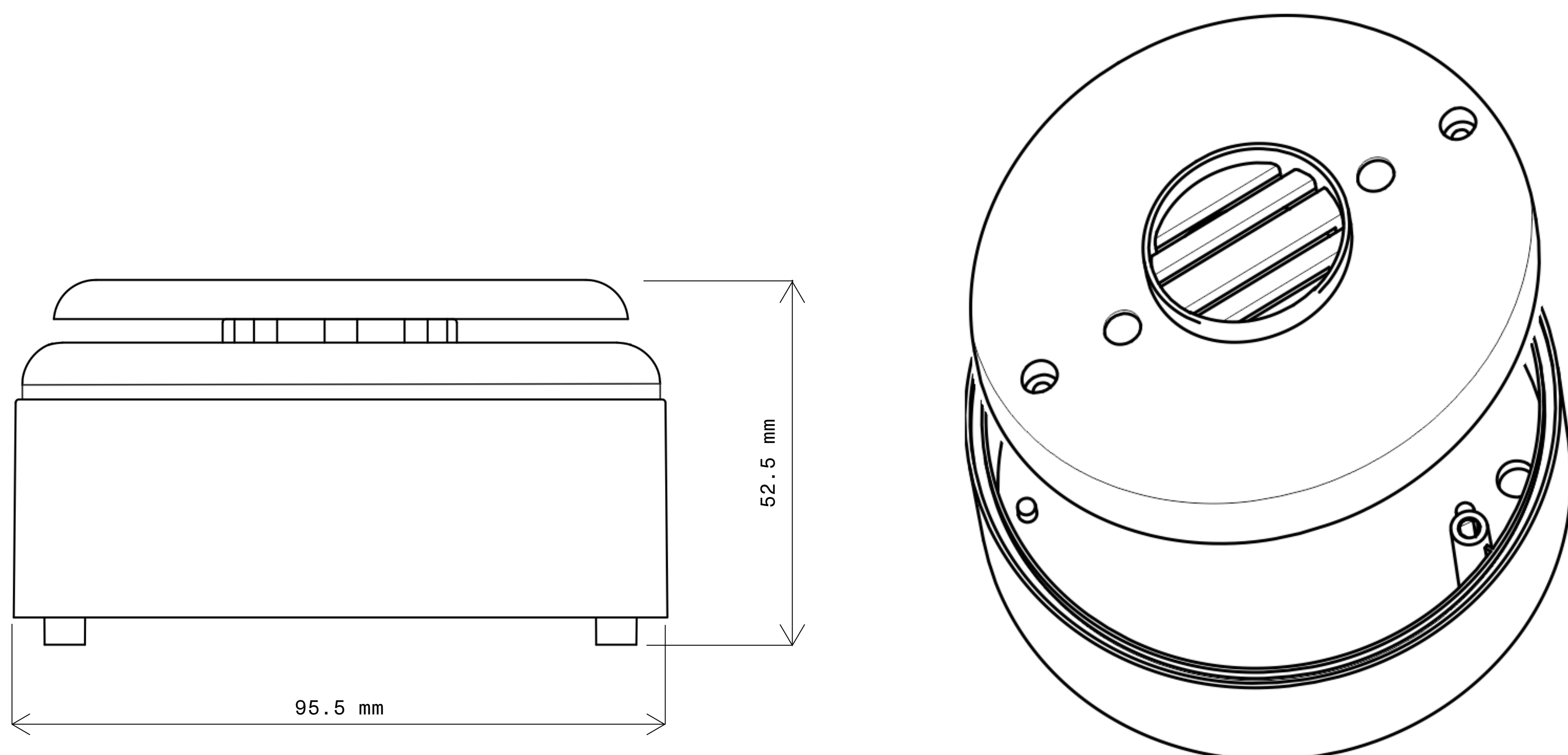
Environmental conditions

Storage temperature	-40/ +85°C
Operating temperature	-10 / +50°C
operating humidity	0 / 95% RH non condensing

Compliance

EMC	EN 61000-6-3:2007 + A1:2011; EN 50270:2015
Refrigeration Standards	EN 378-3; EN 14624; EN 50676; IEC 60335-2-40 Annex LL; ISO 5149-3; F-Gas Regulation

Mechanical drawings



Contatti/Contacts

Viale della Repubblica, 48
20007 Cornaredo (MI) – ITALY

+39 0293548155
sales@sensitron.it
sensitron.it

Sensitron S.r.l.

